

# COMNIA

2025 Electronic Door Locks



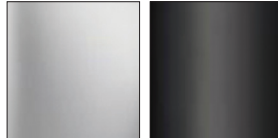
Smart Locks  
Redefined.

Introducing **COMNIA**

Stylishly  
smart.



AVAILABLE COLORS:



Pearl Nickel Matte Black

# 8668

## Digital Handleset

With a silky-to-the-touch feel and elegantly arched top and bottom edges, this single-cylinder, full-plate, smart handleset features a tempered glass keypad, backlit to see day or night. It's easy to install, and powered by (4) AA batteries that typically last for several months. A USB Type-C port is located at its bottom edge for emergency power.

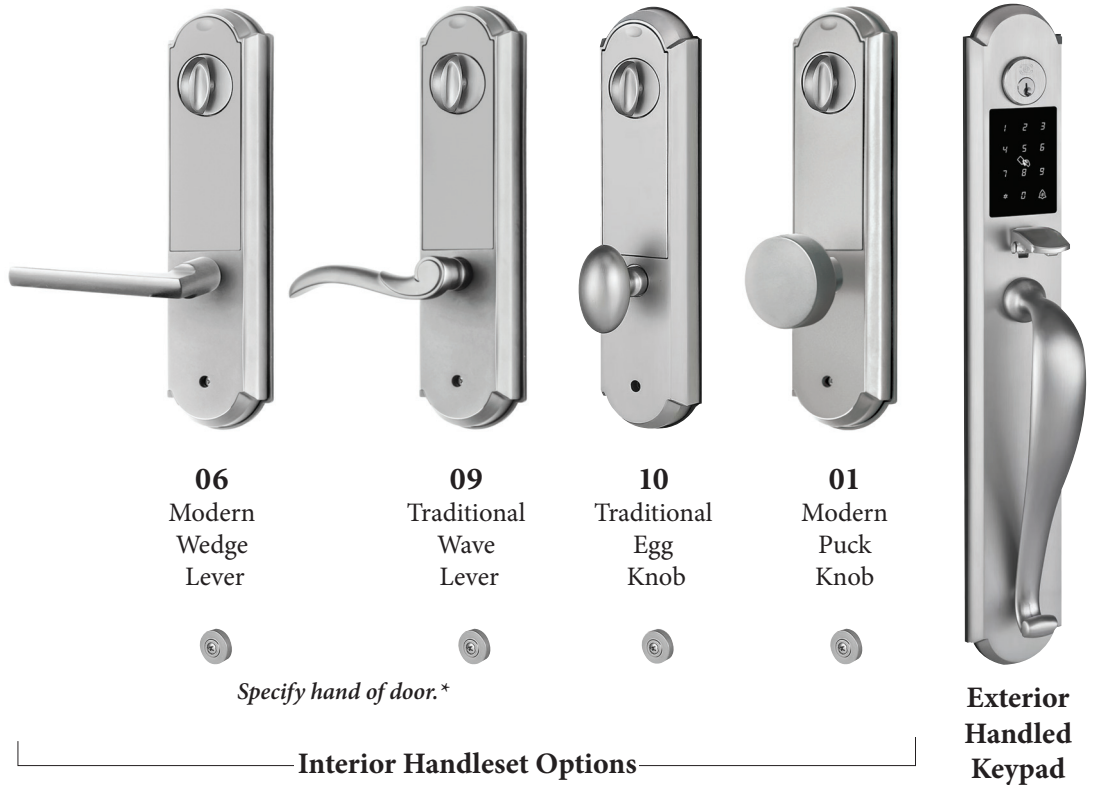
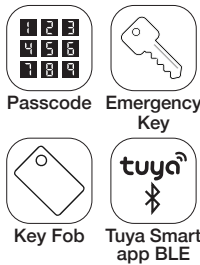


**\$785 List Price**

### Features

- Illuminated keypad
- Uses 4-AA batteries (included)
- USB-C port for emergency power
- Low battery indicator
- Remote access via Tuya Smart app
- Rubber gasket for tight seal resistant to weather

### Lock/Unlock Options



**06**  
Modern  
Wedge  
Lever

**09**  
Traditional  
Wave  
Lever

**10**  
Traditional  
Egg  
Knob

**01**  
Modern  
Puck  
Knob

**Exterior  
Handled  
Keypad**

*Specify hand of door.\**

**Interior Handleset Options**

\*Specify R/L handing.  
See diagram on page 11.

Stylishly  
convenient.



AVAILABLE COLORS:



Pearl Nickel Matte Black

# 8669

## Digital Handleset

Modern flat edges and squared corners define this single-cylinder, full-plate, smart handleset that features a tempered glass keypad, backlit to see day or night. It's easy to install, and powered by (4) AA batteries that typically last for several months. A USB Type-C port is located at its bottom edge for emergency power.

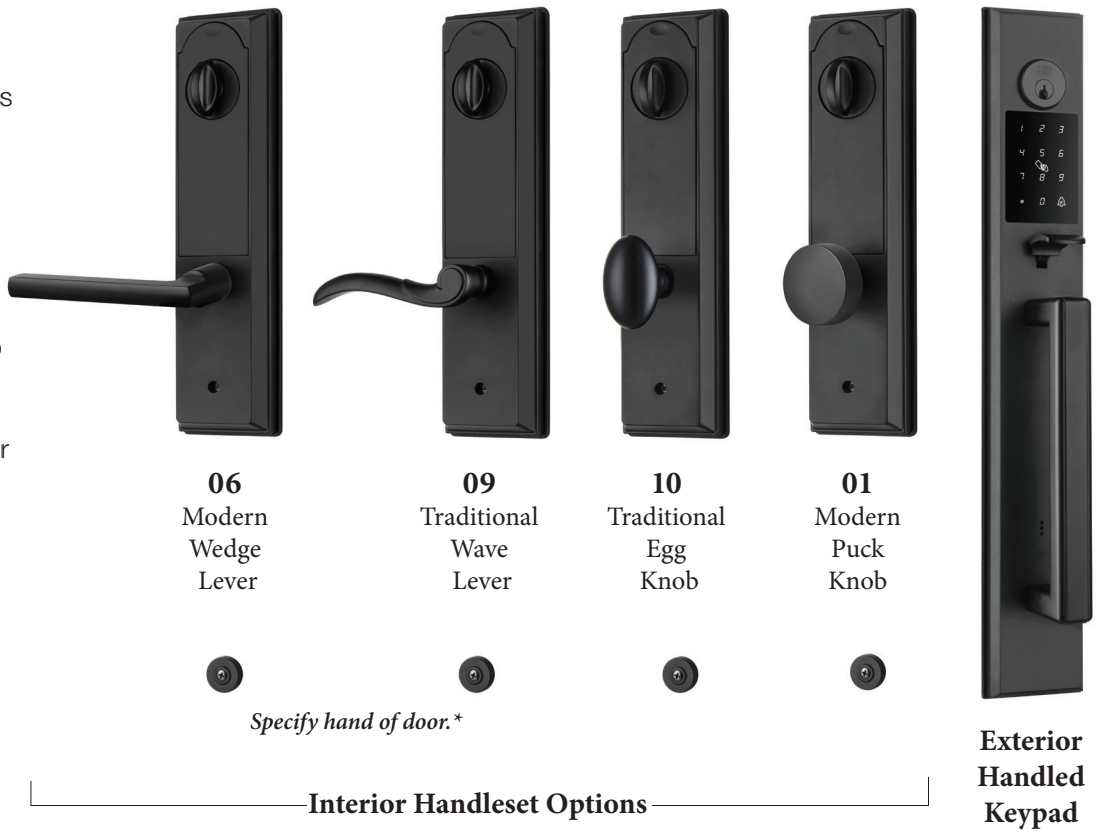
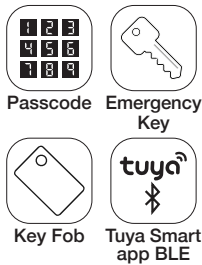


**\$785 List Price**

### Features

- Illuminated keypad
- Uses 4-AA batteries (included)
- USB-C port for emergency power
- Low battery indicator
- Remote access via Tuya Smart app
- Rubber gasket for tight seal resistant to weather

### Lock/Unlock Options



**06**  
Modern  
Wedge  
Lever

**09**  
Traditional  
Wave  
Lever

**10**  
Traditional  
Egg  
Knob

**01**  
Modern  
Puck  
Knob

**Exterior  
Handled  
Keypad**

*Specify hand of door.\**

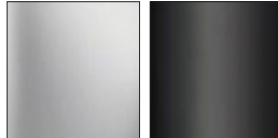
**Interior Handleset Options**

\*Specify R/L handing.  
See diagram on page 11.



Stylishly  
secure.

AVAILABLE COLORS:



Pearl Nickel Matte Black

# 8688

## Digital Handleset

This single-cylinder smart handleset features a half-plate design with an anti-peep tactile keypad that is made of tempered glass, backlit to see day or night. It's easy to install, and powered by (4) AA batteries that typically last for several months. A USB Type-C port is located at its bottom edge for emergency power.

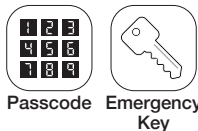


**\$785 List Price**

### Features

- Illuminated keypad
- Uses 4-AA batteries (included)
- USB-C port for emergency power
- Low battery indicator
- Remote access via Tuya Smart app
- Rubber gasket for tight seal resistant to weather

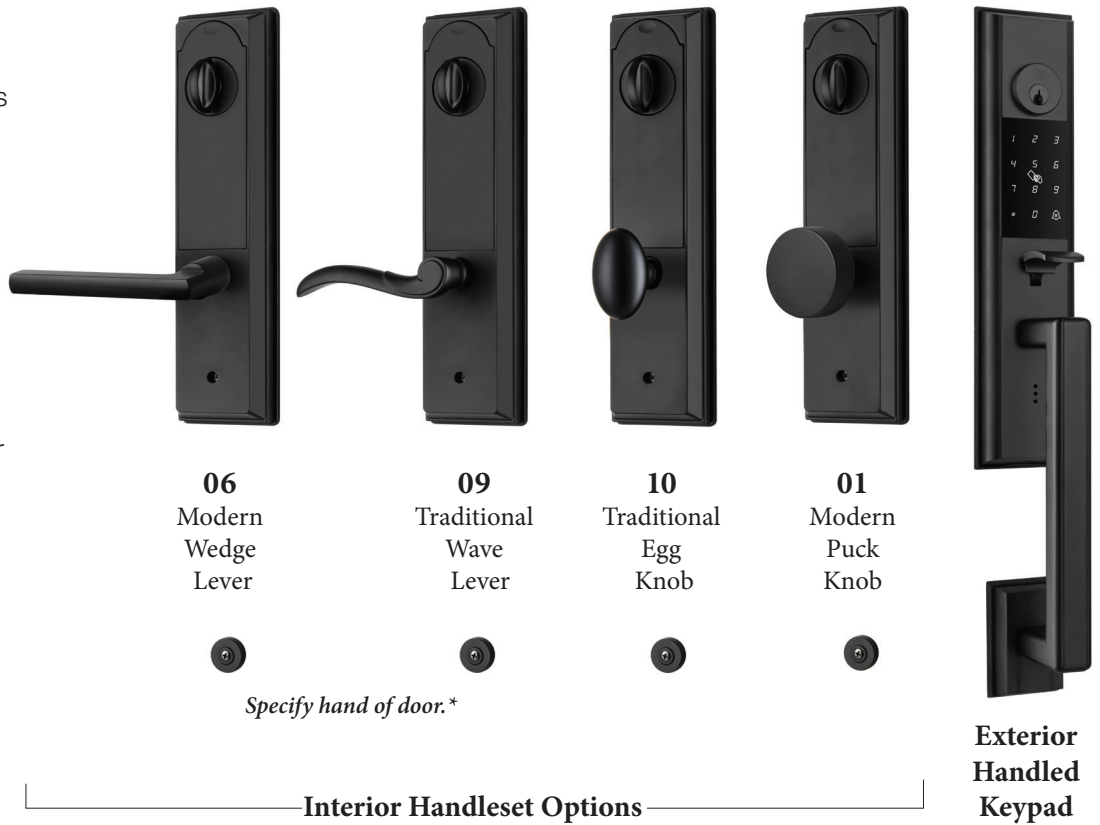
### Lock/Unlock Options



Passcode Emergency Key



Key Fob Tuya Smart app BLE



\*Specify R/L handing. See diagram on page 11.

Easy come.  
Easy go.



# 3111

## Electronic Deadbolt with Push Button Keypad

This electronic deadbolt lock offers entry via a 4-9 digit passcode via a silicon keypad. Classic smooth lines make it a great fit for any decor.

**\$175 List Price**

### Features

- Illuminated numbers
- Uses 4-AA batteries (included)
- USB-C port for emergency power
- Low battery indicator



### Lock/ Unlock Options



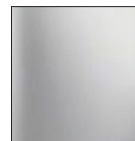
Passcode



Emergency  
Key



### AVAILABLE COLORS:



Pearl Nickel



Matte Black





AVAILABLE COLORS:



Pearl Nickel

Matte Black

**Features**

- Illuminated keypad
- Uses 4-AA batteries (included)
- USB-C port for emergency power
- Low battery indicator



**Lock/  
Unlock  
Options**



Key Fob



Passcode



Fingerprint

# 3112

## Electronic Deadbolt with Keypad & Fingerprint

This digital deadbolt lock with a smooth, high-grade, ABS keypad offers entry via a 4-9-digit passcode, or by a fingerprint match. Its simple understated design makes it a great fit for any living or office environment.

**\$255 List Price**



Bye  
bye,  
keys.

# 8000 Series Features

**The E-OMNIA 8000 Series of Digital Smart Locks** offers great control of who can access your home, and when. Easily manage access for family, houseguests, pet sitters and workers without the need to share a key. Do you often climb into bed and forget if you locked up? Don't get up, the 8000 Series allows you to lock your door via the Tuya Smart app on your smart phone from where you are.

## Energy-Saving.

Powered by 4 AA batteries that are hidden within the interior plate. Typically, batteries can last for over 7 months of use.



## Anti-Peep Keypad.

Add random digits to protect your password from prying eyes on the easy-to-use backlit pad.



## Phone Connectivity.

Download the Tuya Smart app for Android or iOS and connect your smart lock to your smart phone via standard Bluetooth.



## Built Tough.

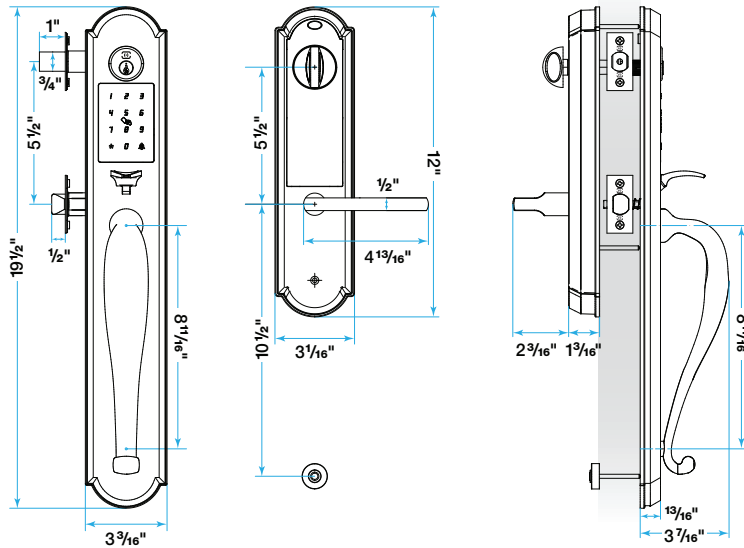
- IP65 Waterproof & Dustproof
- Working Temperature -4°F to 158°F
- Antioxidized Surface
- Salt Spray Tested 90-120 Hours
- Prying-resistant Trigger
- Premium Zinc Alloy Material
- Easy-to-install Parts

## Emergency? You're Covered.

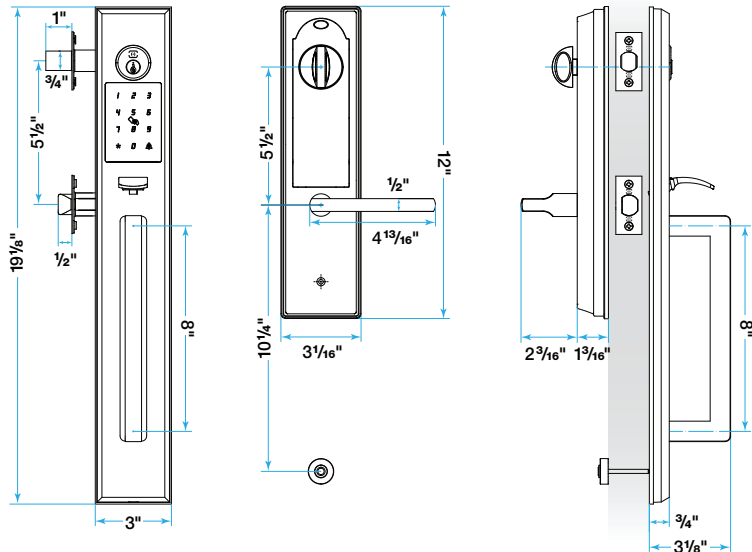
Forgot code? Each digital handle set in the 8000 Series comes with an emergency key fob and (2) two keys for back-up access.



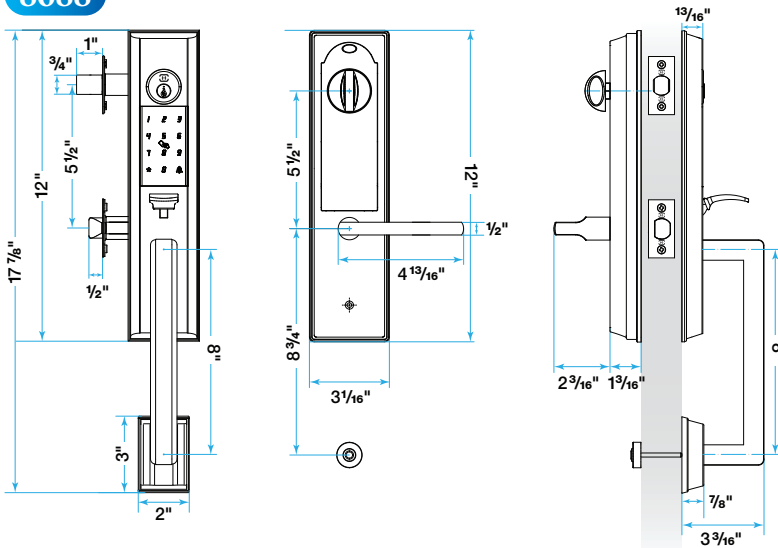
## 8668



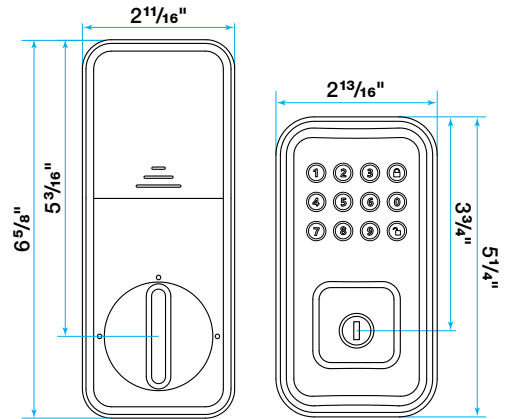
## 8669



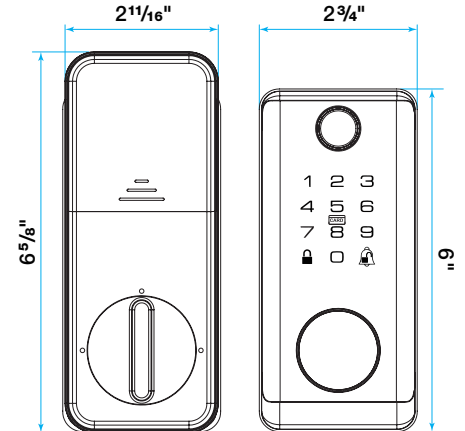
## 8688



## 3111

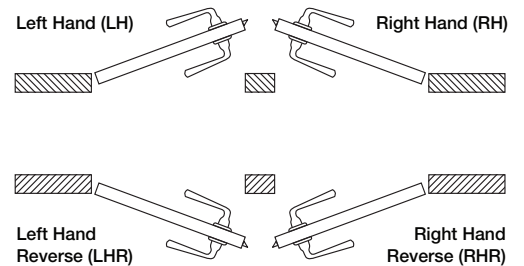


## 3112



### Left / Right Door Handing

When ordering any 8000 series Wedge and Wave levers, please specify handing **LH** (left hand), **RH** (right hand), **LHR** (left hand reverse), or **RHR** (right hand reverse).





Call or email us  
to order.

Phone: (973) 239-7272

Email: [orders@OMNIAindustries.com](mailto:orders@OMNIAindustries.com)



**OMNIA**

**OMNIA**  
SINCE 1964

5 Cliffside Drive • Box 330  
Cedar Grove, New Jersey 07009

[www.OMNIAindustries.com](http://www.OMNIAindustries.com)

